



Tunnel Extension Kit

Professional installation recommended

What's included:

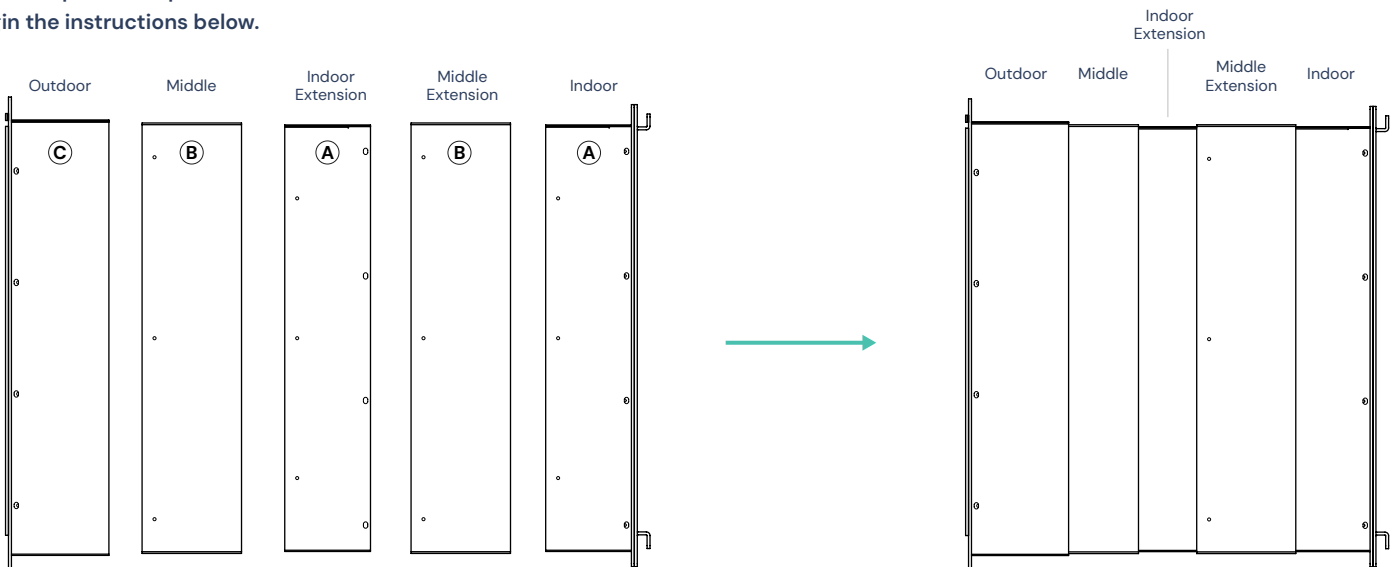
- 1 Extension middle tunnel section
 - 2 Extension indoor-side tunnel section
 - 3 Self-tapping screws ×12
 - 4 Adhesive strips ×6
 - 5 Turf floor
 - 6 Trimmable tunnel liners ×2
-

STOP!

The Pawport Tunnel Extension Kit functions exclusively with the Pawport Tunnel & Frame System. **Please refer to the manual included with the Tunnel & Frame System to begin installation. After you have completed Step 13 of the Tunnel & Frame installation, begin the instructions below.**

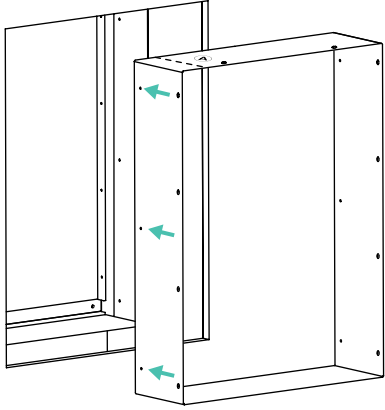
NOTE

The tunnel sections included in this kit are identical to those included in the Tunnel & Frame System. They allow you to “nest” additional sections to extend the tunnel depth as needed.



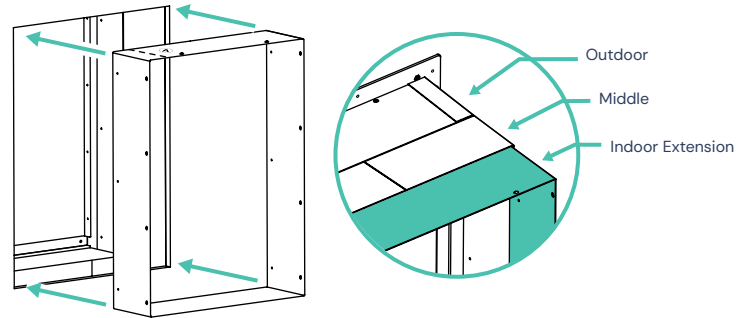
Step 1

Locate the additional/extension **indoor-side tunnel section** (item 2). This section has a small overlap at the top-left corner. The short top piece should sit under the long top piece, creating an overlap of about an inch. Hold the section so that the **three** pre-drilled side holes are facing the tunnel.



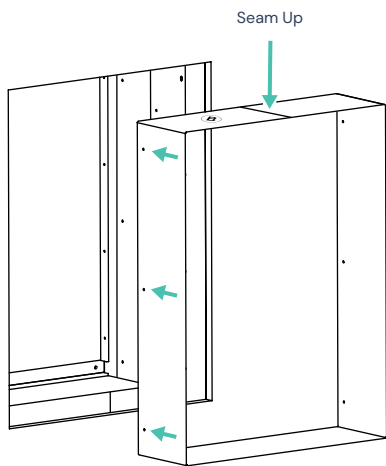
Step 2

From the interior, slide the additional/extension indoor-side tunnel section into the original middle tunnel section. Ensure that the end with **three** pre-drilled side holes is sitting inside the original middle tunnel section. Overlap the tunnel sections by at least 1" (25 mm). **Do not fasten yet.**



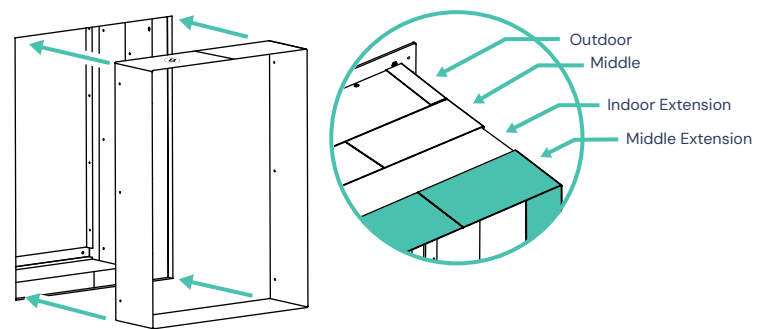
Step 3

Locate the additional/extension **middle tunnel section** (item 1). This section has a seam at the top. Hold the section so that the three pre-drilled side holes are facing the tunnel.



Step 4

From the interior, wrap the additional/extension **middle tunnel section** around the additional/extension indoor-side tunnel section. Insert this middle tunnel section far enough into the tunnel to ensure that the three pre-drilled side holes are hidden behind the edge of the additional/extension indoor-side tunnel section. This should overlap the tunnel sections by at least 1" (25 mm). **Do not fasten yet.**



Need help?

www.pawport.com/support

support@pawport.com

The information contained herein is protected by copyright. All rights reserved.

ID: MAN-TUNEK-2026-001

You have now successfully installed the Tunnel Extension Kit. Refer back to the **Tunnel & Frame System Installation Manual** (step 14) to resume installation.

For safety information, warranty coverage, and regulatory compliance details, refer to the documentation included with the Pawport Tunnel & Frame System.