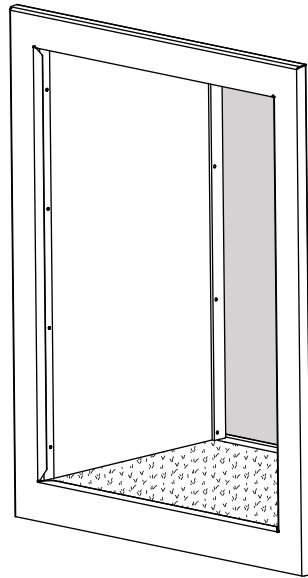


pawport

The smart, secure pet door.



Magnetic Trim

# Removal & Reinstallation



## Need help?

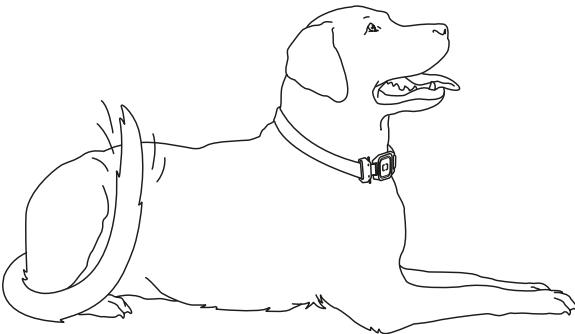
[www.pawport.com/support](http://www.pawport.com/support)

[support@pawport.com](mailto:support@pawport.com)

## WARNING

### Important Safety Information – Please Read First

Before you begin installation, please read all instructions, safety information, and warnings provided in this manual and in the included safety documentation.



# Hate to read?

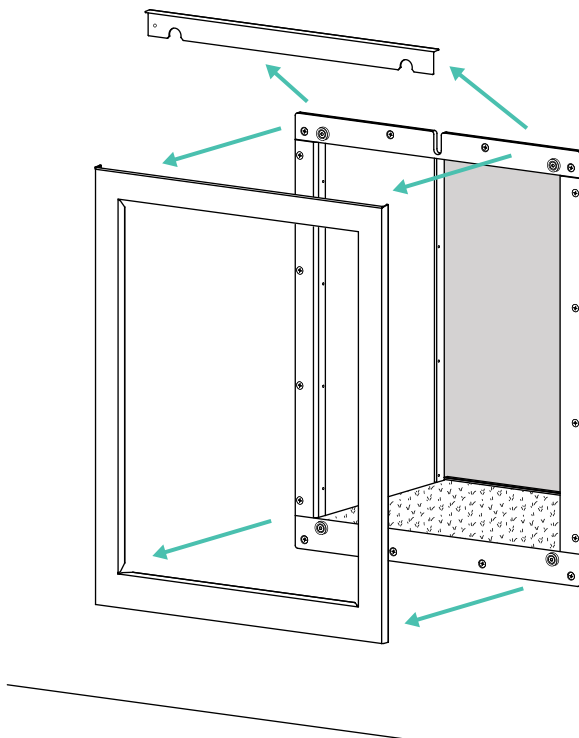
We feel you! [Click here to view the instructional video and follow along.](#)



# Remove the magnetic trim

## Step 1

Pull off both the magnetic trim and trim cap from the exterior frame and set them aside.

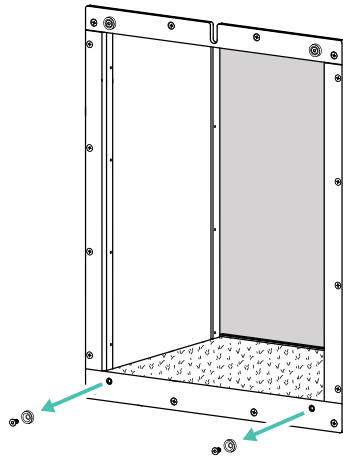
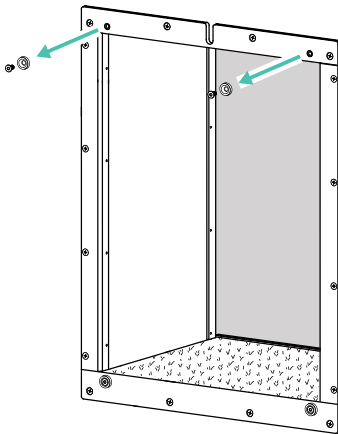


## Step 2

If you are installing a Pawport accessory onto the top of the exterior frame, remove the **top** two trim magnets and screws from the exterior frame with a Phillips head screwdriver.

If you are installing a Pawport accessory onto the bottom of the exterior frame, remove the **bottom** two trim magnets and screws from the exterior frame with a Phillips head screwdriver.

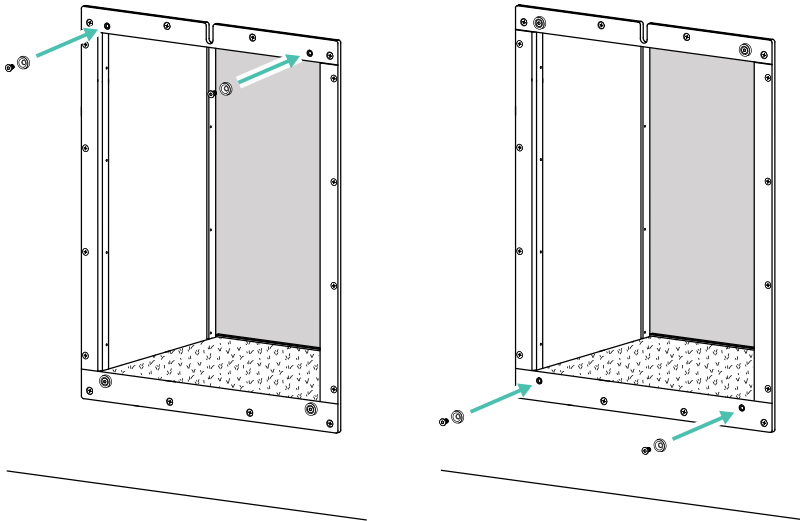
If you are not installing any accessories onto the frame, you do not need to remove any trim magnets.



# Reinstall the magnetic trim

## Step 1

Reinstall the trim magnets and screws with a Phillips head screwdriver.



## Step 2

Place the magnetic trim and top cap onto the exterior frame. Press so that magnets engage and hold the trim in place.

### NOTE

Some accessories do not require the top trim cap to be reinstalled. Check the accessory manual to see if this applies to your installation.

