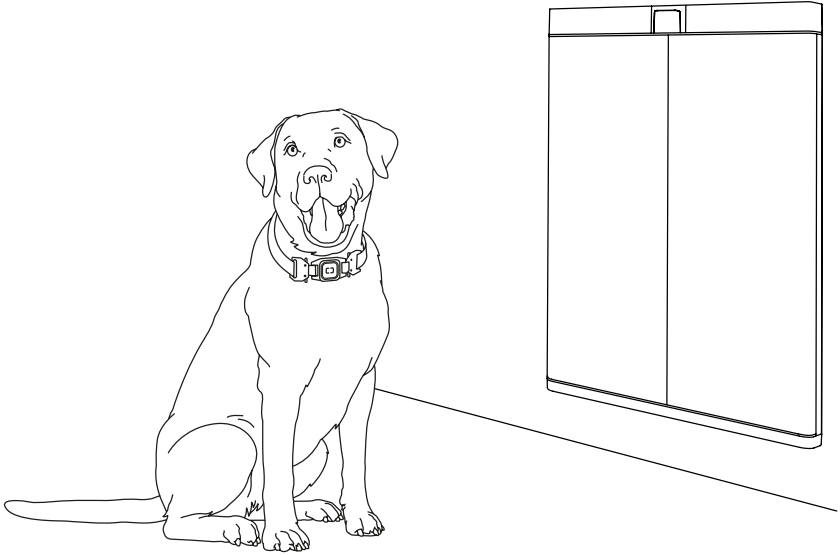


pawport

The smart, secure pet door.



Outdoor Pet Door

Removal & Reinstallation



Need help?

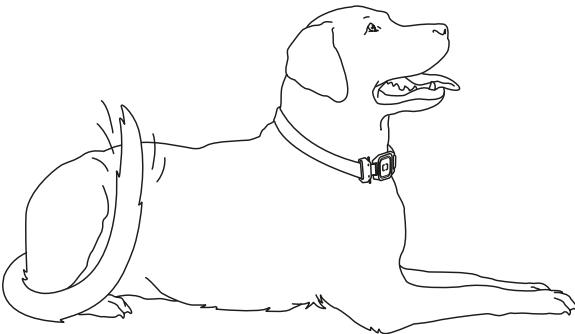
www.pawport.com/support

support@pawport.com

WARNING

Important Safety Information – Please Read First

Before you begin installation, please read all instructions, safety information, and warnings provided in this manual and in the included safety documentation.



Hate to read?

We feel you! [Click here to view the instructional video and follow along.](#)



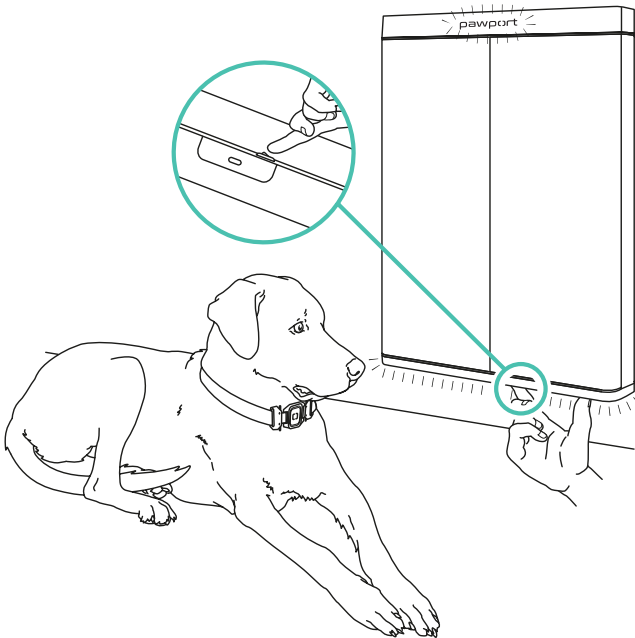
Remove the Outdoor Pet Door

Step 1

Using the top control panel or the Pawport app, open the Smart Pet Door on the interior of your home to open the Outdoor Pet Door.

Turn off the Smart Pet Door by flipping the master switch underneath the unit to "off." Do not use the sleep/restart button on the top control panel.

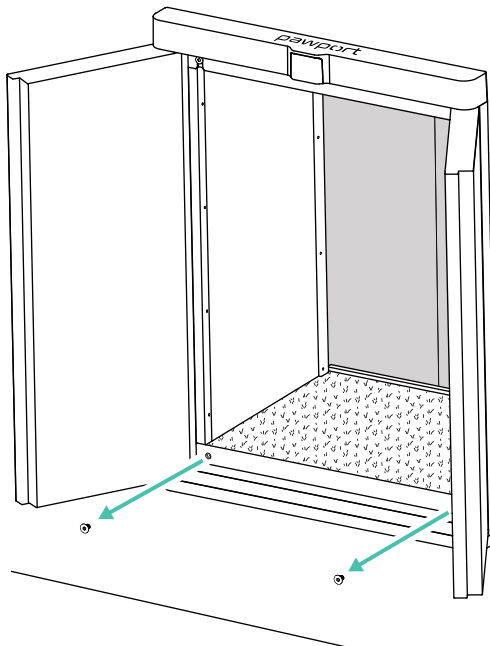
Close the Smart Pet Door on the interior of your home by gently pressing the doors shut. The Outdoor Pet Door should remain open.



Step 2

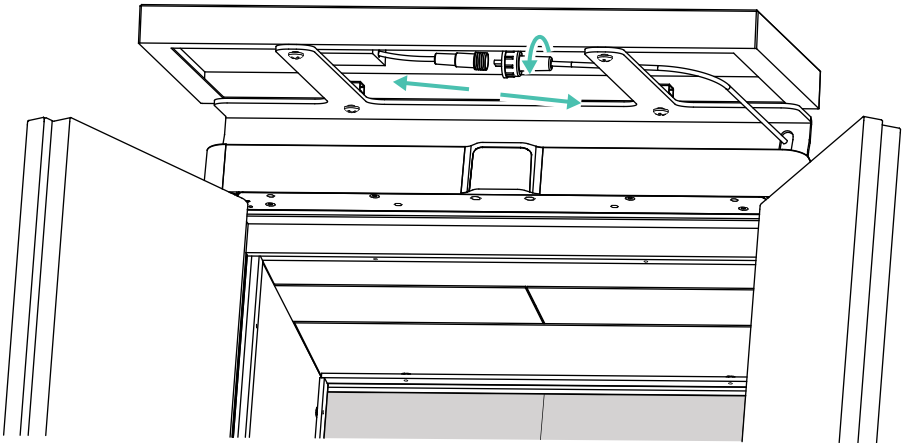
Locate the Outdoor Pet Door on the exterior of your home.

Remove the bottom two ultra-low-profile screws with a 3 mm Allen wrench and set them aside.



Step 3

If you have installed a Pawport Solar Panel, unplug the connector cable now.

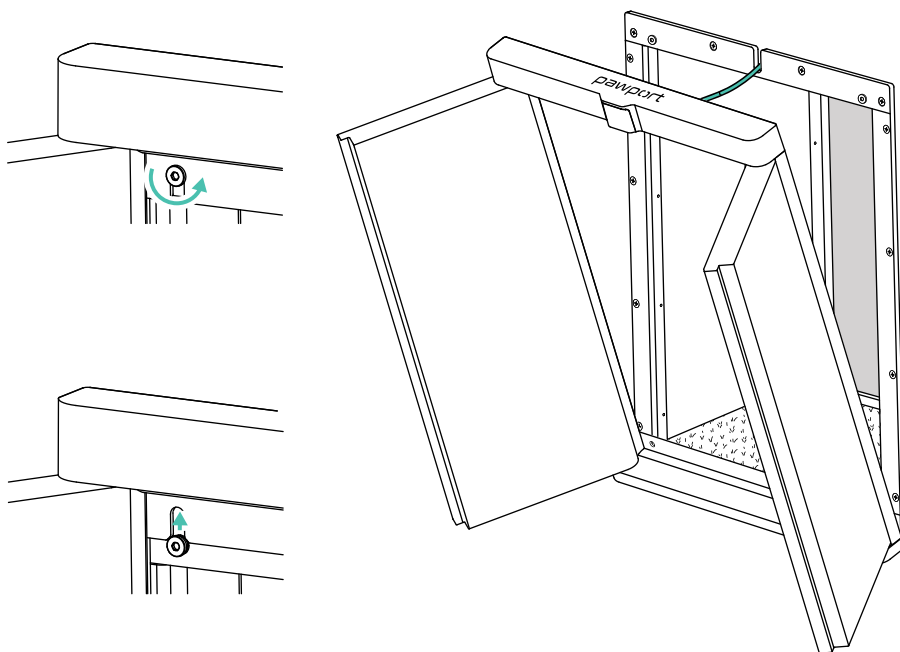


Step 4

Loosen the top two ultra-low-profile screws; do not remove them completely. Holding the Outdoor Pet Door with one hand on each side, slowly lift the unit to locate the pairing wire on the back.

NOTE

Two people may be required for this step.

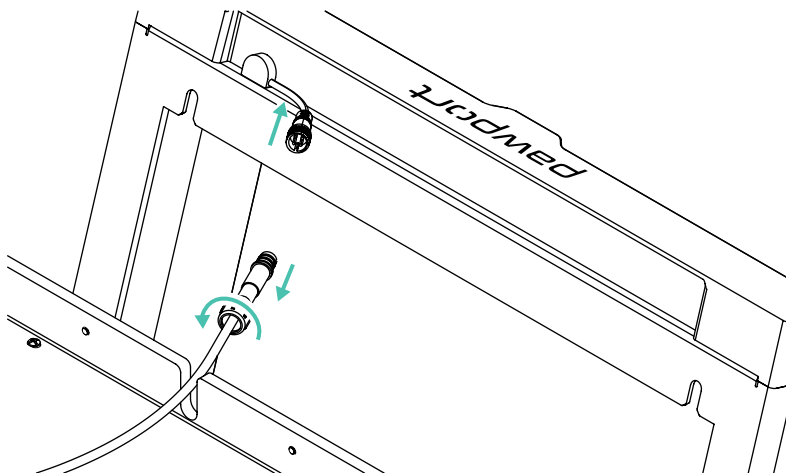


⚠ CAUTION

Never connect or disconnect the pairing wire while the Smart Pet Door is powered on. Doing so may result in damage to internal components.

Step 5

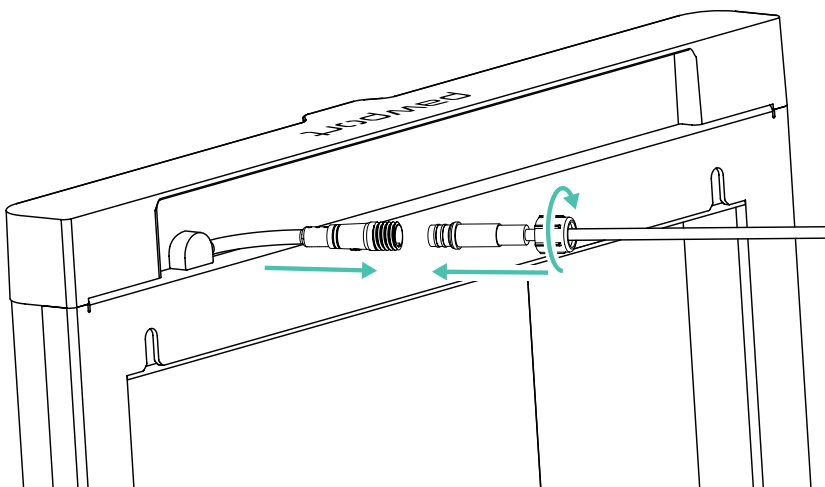
Unplug the pairing wire. Carefully remove the Outdoor Pet Door from the frame and set it aside.



Reinstall the Outdoor Pet Door

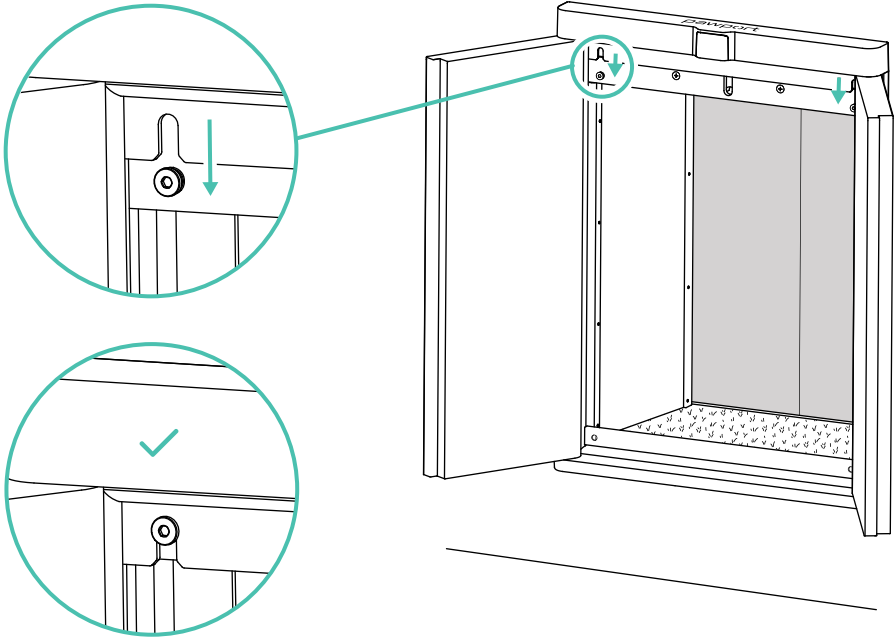
Step 1

Reconnect the pairing wire. Tuck the excess cable into the wall.



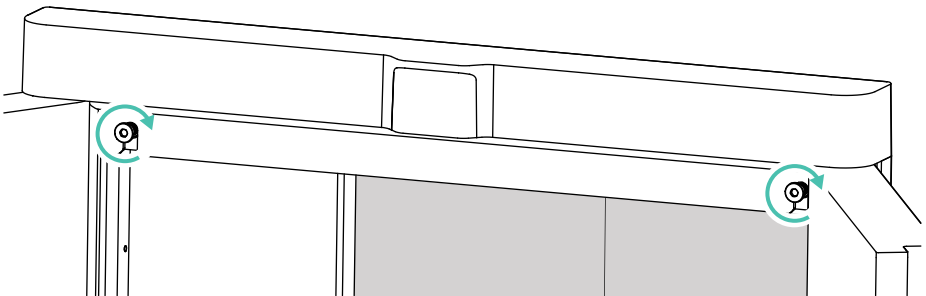
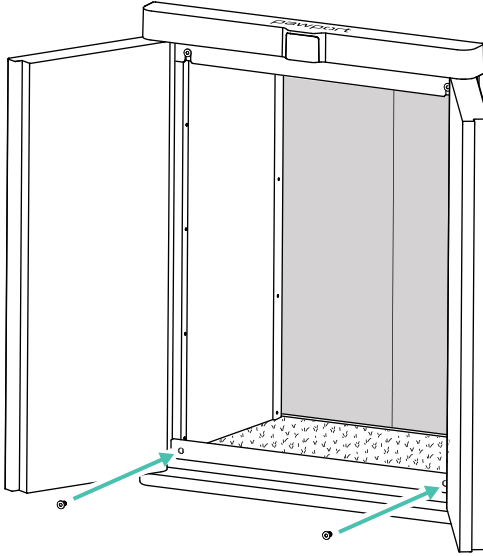
Step 2

Gently push open the doors of the Outdoor Pet Door from the back. Holding the Outdoor Pet Door with one hand on each side, re-hang the unit by positioning the slots in the frame onto the two protruding screws. Slowly lower the door so both screws are fully inserted into the slots and support the unit.



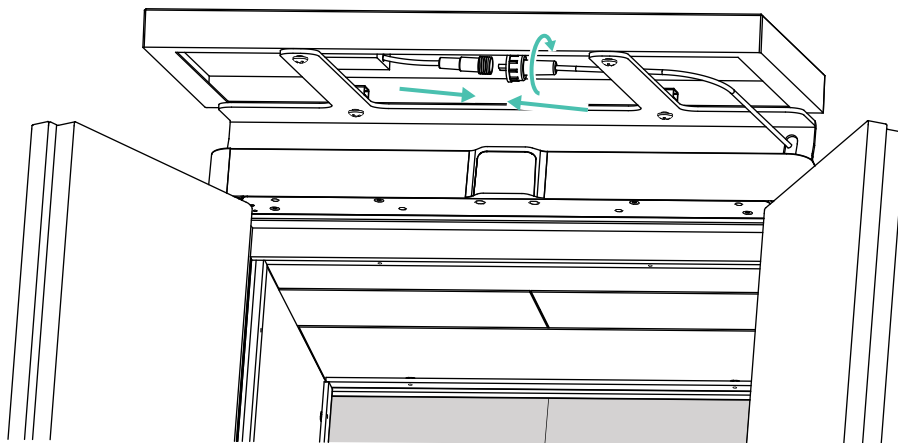
Step 3

Reinstall the bottom two ultra-low-profile screws with a 3 mm Allen wrench. Tighten the upper two ultra-low-profile screws. Close the doors by gently pressing them shut.



Step 4

If you have installed a Pawport Solar Panel, reconnect the cable now.



Close the doors by gently pressing them shut.

Turn the Smart Pet Door back on by flipping the master switch underneath the unit to "on."

