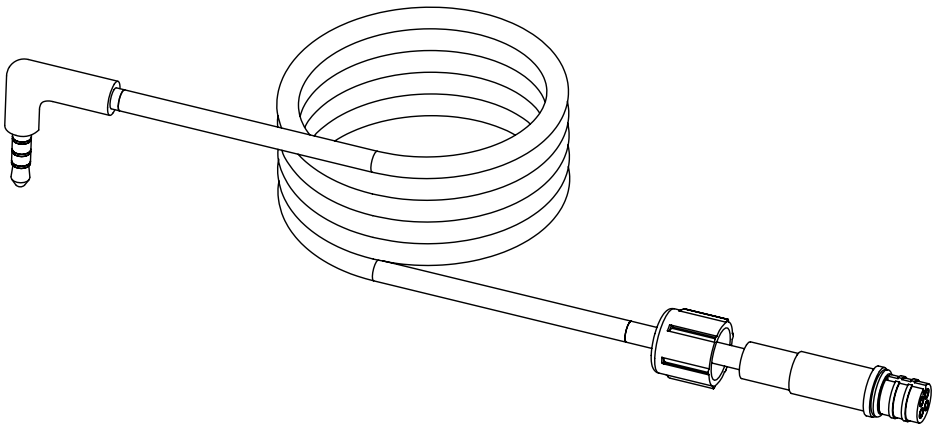


pawport

The smart, secure pet door.



Pairing Wire Installation

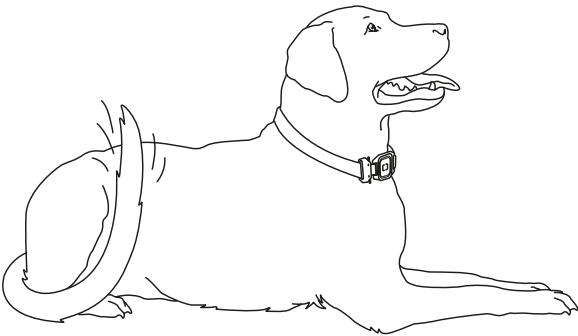
For connecting a Pawport Smart Pet Door to a Pawport
Outdoor Pet Door



Need help?

www.pawport.com/support

support@pawport.com



WARNING

Important Safety Information – Please Read First

Before you begin installation, please read all instructions, safety information, and warnings provided in this manual and in the included safety documentation.

The Pawport pairing wire contains an electrical connection that links the Smart Pet Door to the Outdoor Pet Door. Improper handling may result in product damage, signal failure, or voided warranty coverage.

Always install the pairing wire according to the instructions provided. Use only the official Pawport pairing wire and do not attempt to modify or substitute cables. Use caution when feeding the wire through the tunnel system and when working around sealed surfaces or internal wall cavities.

Professional installation is recommended. If you are unsure about any part of the process, consult our support team or a licensed professional before proceeding.

www.pawport.com/support

Hate to read?

We feel you! [Click here to view the instructional video and follow along.](#)



Getting started

IMPORTANT!

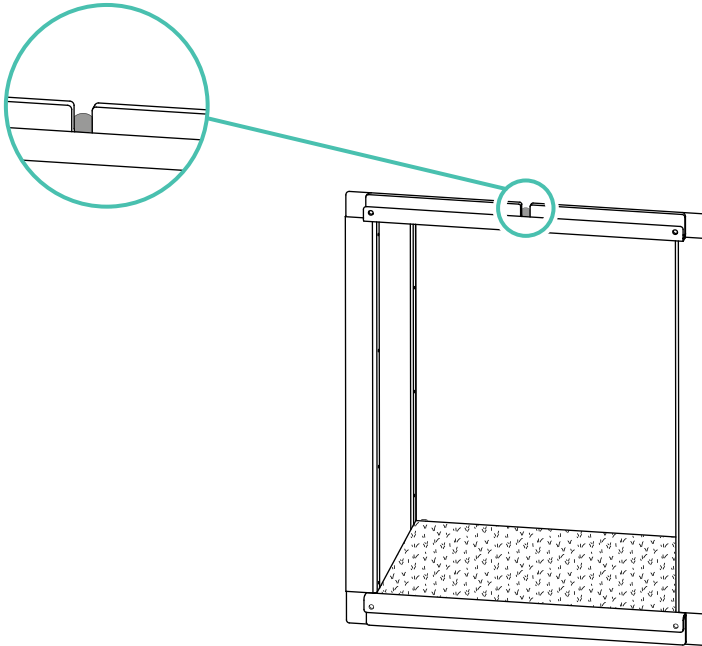
The pairing wire is required to connect a Pawport Smart Pet Door to a Pawport Outdoor Pet Door. It is recommended to install the pairing wire at the same time as the Pawport Tunnel & Frame System. For instructions, refer to the [Tunnel & Frame System Installation Manual](#).

This manual is for use if you **DID NOT** install the pairing wire during the Tunnel & Frame System installation.

If you have a Pawport Smart Pet Door installed in your home but the pairing wire is not connected, remove the Smart Pet Door now [using these instructions](#).

Step 1

Locate the slot at the top of the interior frame. There should be a small opening in the slot exposing the wall behind the frame. If this space was previously sealed with caulk or filler, remove the sealant or use a sharp tool to create a small hole about 3/8" (10 mm) in diameter within the slot.



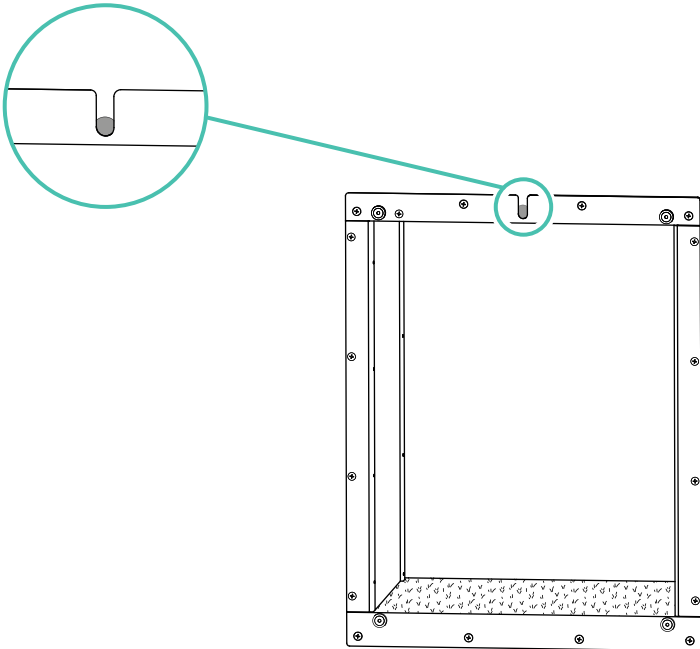
Interior

CAUTION

Use a sharp tool carefully when opening sealed slots. Avoid applying excessive force that could damage the frame or wall surface. Wear protective gloves as needed.

Step 2

Locate the slot at the top of the exterior frame. There should be a small opening in the slot exposing the wall behind the frame. If this space was previously sealed with caulk or filler, remove the sealant or use a sharp tool to create a small hole about 3/8" (10 mm) in diameter within the slot.



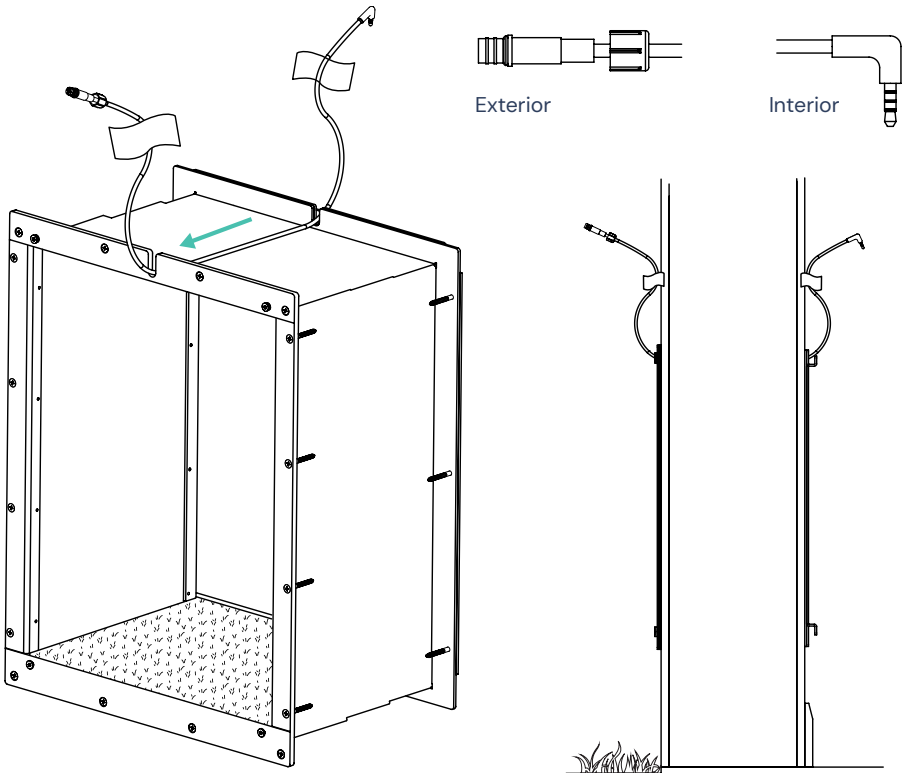
Exterior

Step 3

Use a fish tape or a slender, stiff rod to guide the pairing wire from the interior wall through the holes in the slots at the top of the tunnel. Pull it completely through so the wire enters the interior slot and exits the exterior slot. Tape excess wire in place if needed.

IMPORTANT!

The end with the right-angle 1/8" (3 mm) connector jack should be positioned on the interior of the home. The end with the screw-on waterproof connector should be positioned on the exterior.



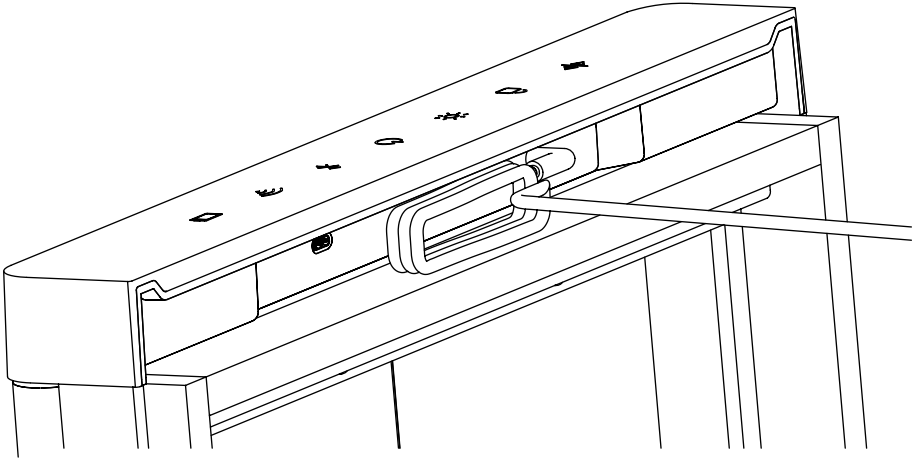
⚠ CAUTION

Do not force the wire or crimp it during installation. Use gentle pressure to prevent damage to the connectors or kinking of the cable.

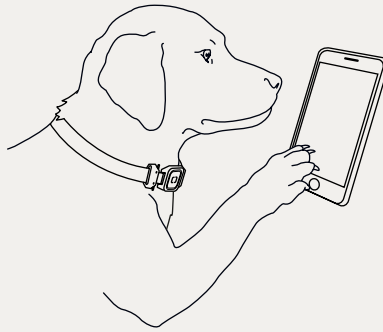
Step 4

On the interior, plug the 1/8" (3 mm) right-angle connector into the auxiliary input on the top back of the Smart Pet Door. Make sure the connector is fully inserted; do not force it.

Reinstall the Smart Pet Door, making sure not to pinch the pairing wire. Tuck the excess cable into the wall.



You have now successfully installed the pairing wire. Refer back to the [Outdoor Pet Door Installation Manual](#) to resume installation.



Job done!

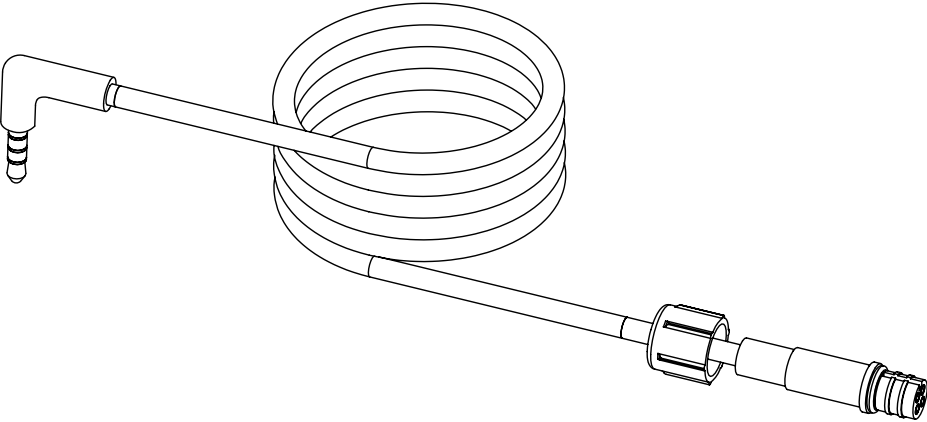
Your pairing wire
installation is now complete!

For additional manuals and video tutorials visit:

www.pawport.com/support

pawport

The smart, secure pet door.



The information contained herein is protected by copyright. All rights reserved.

ID: MAN-PAIW-2026-001