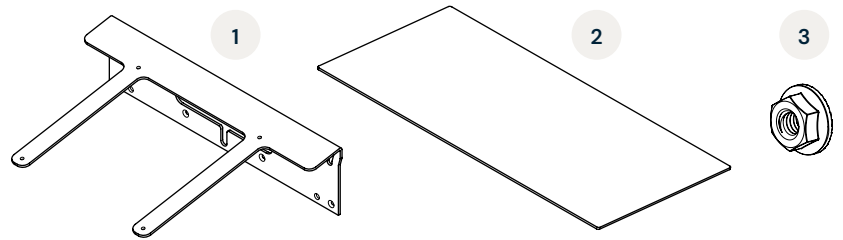


# Awning

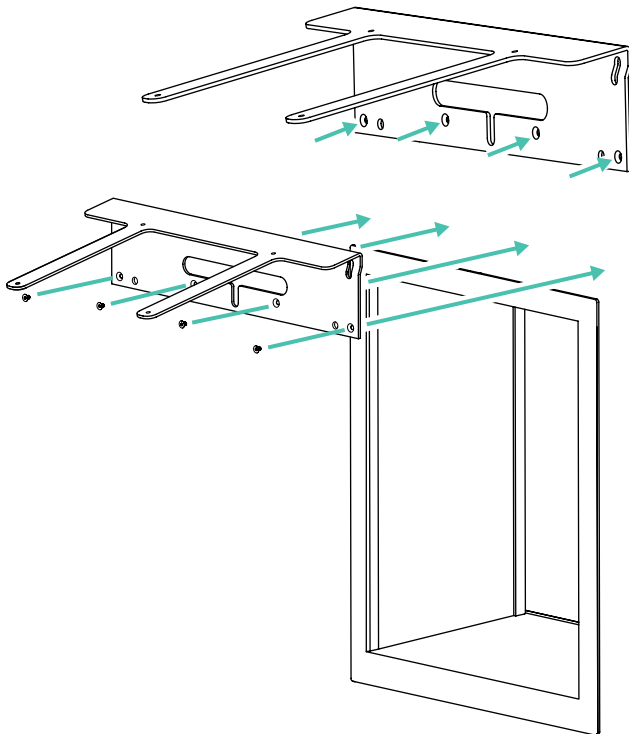
## What's included:

- 1 Mounting bracket
- 2 Awning
- 3 M4 flange nuts x4



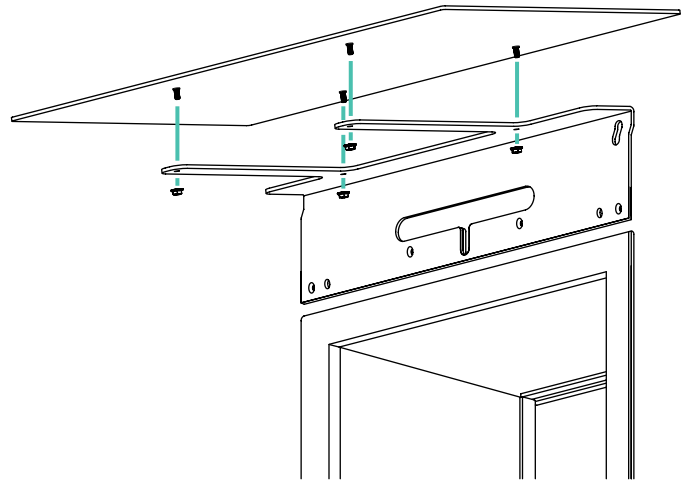
### Step 1

Use screws appropriate for the wall material to secure the mounting bracket (item 1) to the exterior wall. The bracket should be placed slightly above your existing pet door opening. Screw the hardware into the four countersunk holes, as shown. You will likely need to pre-drill holes for this step. Fastening the bracket to the wall is left to the installer's discretion.



### Step 2

Place the awning (item 2) on top of the mounting bracket with the flat side up. Insert the threaded posts on the bottom of the awning through the holes in the mounting bracket. Once inserted, secure the awning from underneath using the four flange nuts (item 3) and a wrench or pliers. Do not overtighten.



#### ⚠ CAUTION

This step may require the use of power tools. Check for electrical wiring, plumbing, or gas lines before drilling. If uncertain, consult a professional to avoid risk of electric shock, fire, or structural damage. Do not overtighten screws.

# Pawport Awning

## Safety Information

### WARNINGS – Important Safety Information – Please Read First

Before you begin installation, please read all instructions, safety information, and warnings provided in this manual. Drilling into walls and doors is best suited for professionals with appropriate tools and experience. Not all users will be able to safely or successfully complete the install without assistance.

The Awning provides limited protection from typical weather conditions. In areas prone to extreme weather, including high winds, extreme temperatures, and heavy rain, a retained flap must be used to help prevent water intrusion into the tunnel. Improper installation may result in injury, water intrusion, property damage, poor product performance, or reduced product lifespan and may void your warranty.

Use appropriate tools and protective equipment. Keep all tools and parts out of reach of children and pets until installation is complete.

If you are unsure about any part of the installation, consult our support team or a licensed professional before proceeding. [www.pawport.com/support](http://www.pawport.com/support)



Need help?

[www.pawport.com/support](http://www.pawport.com/support)

[support@pawport.com](mailto:support@pawport.com)

The information contained herein is protected by copyright. All rights reserved.

ID: MAN-AWN-2026-001